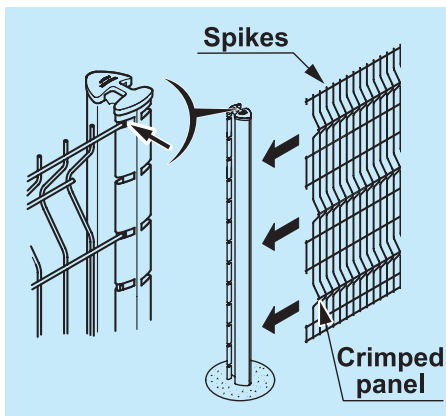
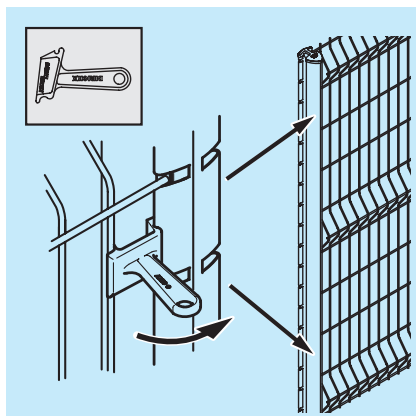


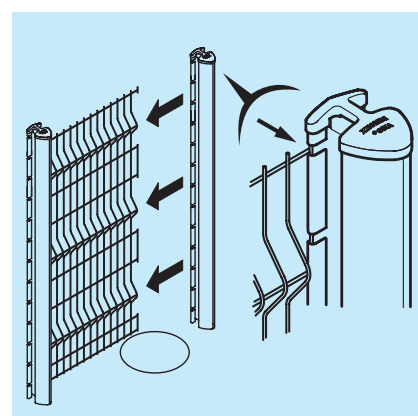
INSTALLATION IN FORWARD SEQUENCE



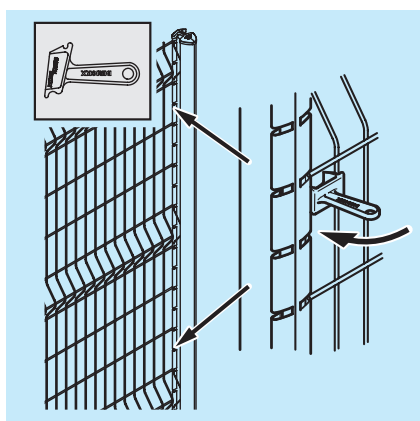
1 - Embed the first post and insert the first panel. (Swivel spikes at top and bottom.)



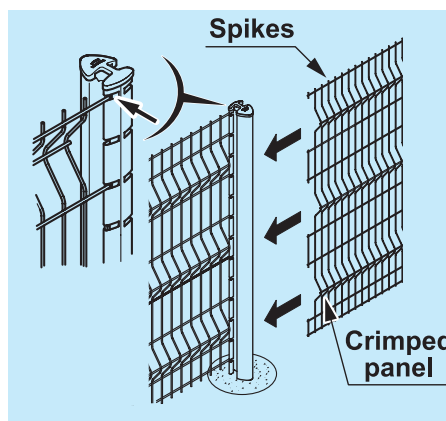
2 - Position 2 AXIS tension blocks or 2 AXOR wedges to hold the panel in position on the post while the embedding material sets.



3 - Insert the second post into the panel.

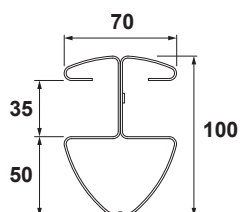


4 - Position 2 AXIS tension blocks or 2 AXOR wedges and embed the second post.



5 - Insert the second panel. Repeat operation. Once installation is complete, remove the AXIS tension blocks or the AXOR wedges (reusable).

AXIS post



For:
 - high,
 - windy areas,
 - safety and security options
 (extension arms, grounding)...

